



## Standard Preparation 1000 mm Open Wall Cupboard

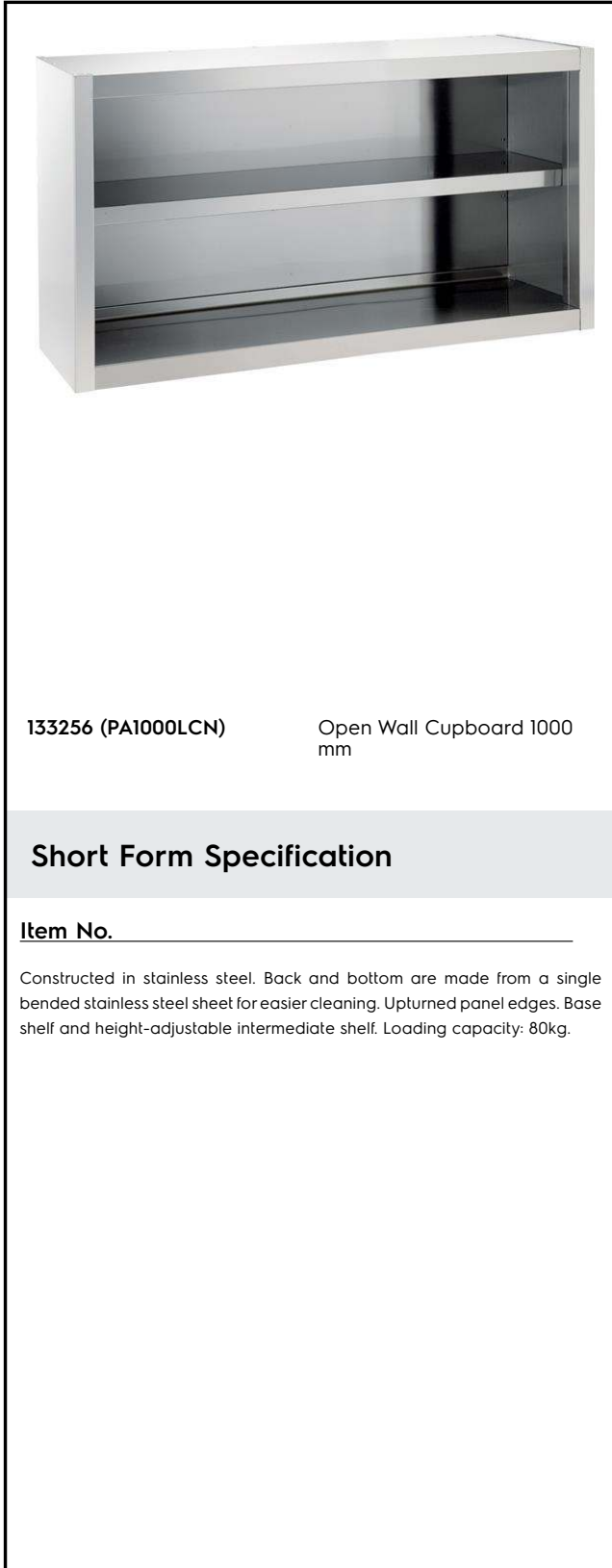
ITEM # \_\_\_\_\_

MODEL # \_\_\_\_\_

NAME # \_\_\_\_\_

SIS # \_\_\_\_\_

AIA # \_\_\_\_\_



133256 (PA1000LCN)

Open Wall Cupboard 1000 mm

### Short Form Specification

Item No. \_\_\_\_\_

Constructed in stainless steel. Back and bottom are made from a single bended stainless steel sheet for easier cleaning. Uprturned panel edges. Base shelf and height-adjustable intermediate shelf. Loading capacity: 80kg.

### Construction

- Features an internal shelf which can be positioned at three different levels.
- Back and bottom panels composed of a single bended sheet for easier cleaning.

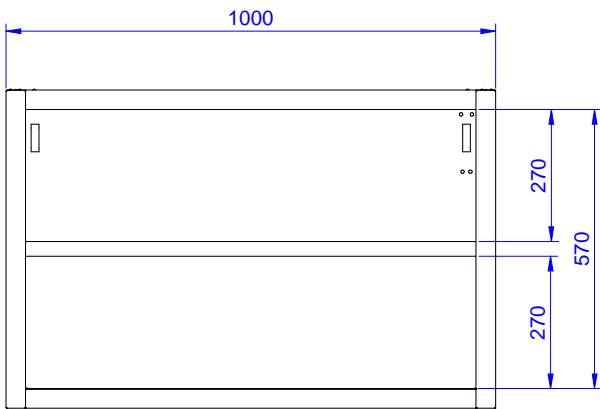
### Optional Accessories

- Lighting kit with led for wall cupboards (1000mm and 1200mm) PNC 850709
- Lighting kit with led for wall cupboards (1400mm, 1600mm and 1800mm) PNC 850710

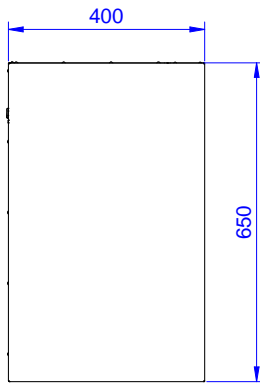
APPROVAL: \_\_\_\_\_



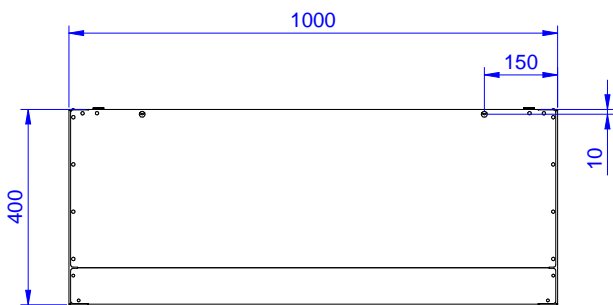
Front



Side



Top



**Key Information:**

External dimensions, Width:	
133256 (PA1000LCN)	1000 mm
External dimensions, Depth:	400 mm
External dimensions, Height:	650 mm